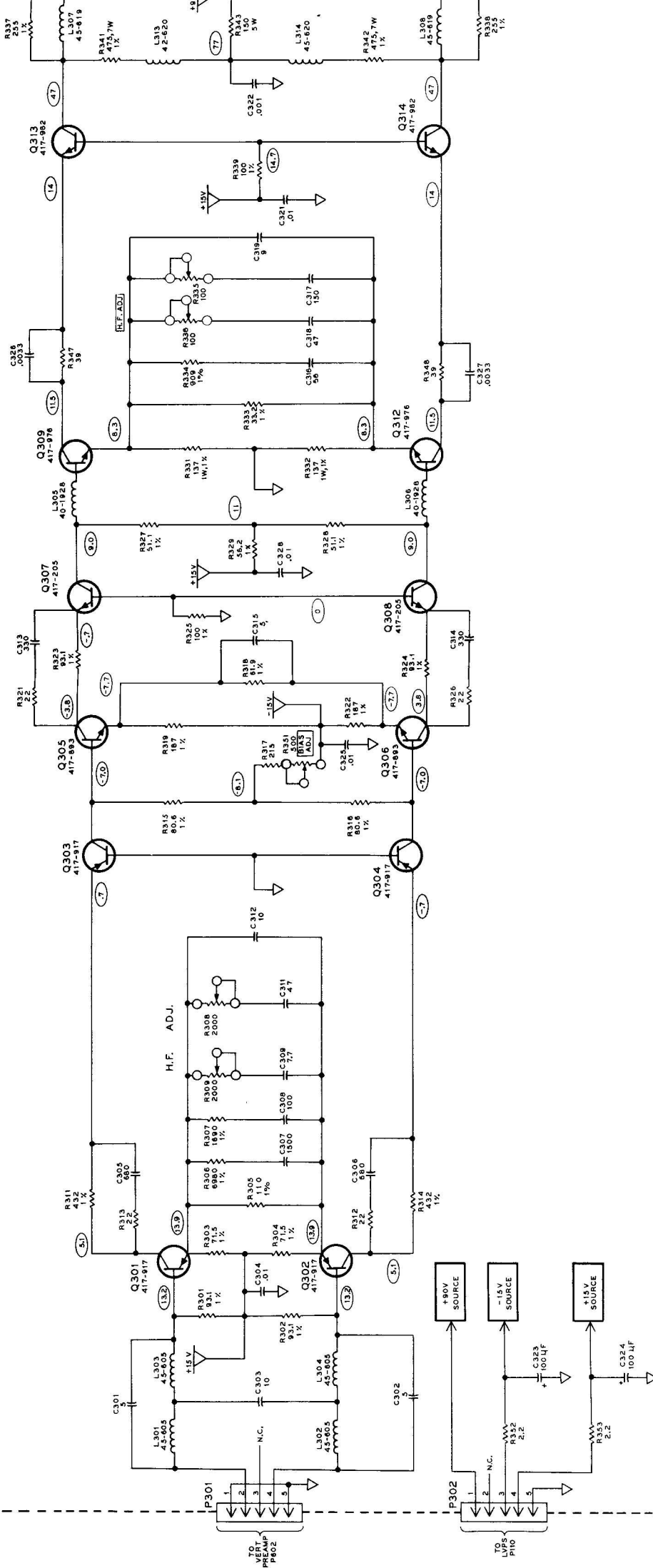


# VERTICAL DEFLECTION CIRCUIT BOARD



CTION CIRCUIT BOARD

